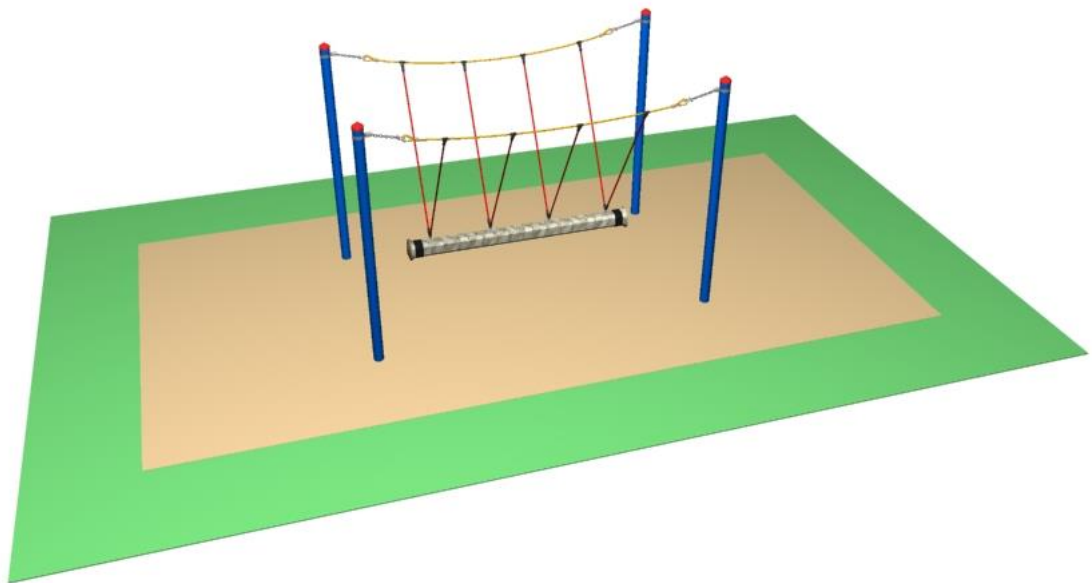


A Assembly Instructions

Super-Tampen-Swinger-Mini, Art. No. 4585S



Operator: _____

Location: _____

Revisionshistorie
Revision 0 – 2008-06-02
Erste freigegebene Version
Montageanleitung FH
Revision 2 – 2008-10-21
Bodenklassen
Alle Rechte vorbehalten

© Copyright 2008 Huck Seiltechnik GmbH

Contents

A	Assembly Instructions Super-Tampen-Swinger-Mini, Art. No. 4585S	1
1	Introduction Assembling	4
2	Datasheet Super-Tampen-Swinger-Mini, Art.-No.4585S	5
3	Delivery contents (parts list with part numbers)	7
4	Erection instructions	9
5	Post installation checks	17
B	Maintenance instructions Super-Tampen-Swinger-Mini, Art.-No. 4585S	19
6	Introduction Maintenance.....	21
7	General maintenance information	22
8	Maintenance timetable.....	24
	Regular maintenance.....	25
9	Monthly maintenance	26
10	Quarterly maintenance	26
11	Half yearly maintenance	27
12	Annual maintenance	27
13	Maintenance printout.....	29
14	Hand over document	31

List of Tables

Tabelle 3-1: Delivery contents, in words.....	7
Tabelle 3-2: Delivery contents, in symbols	8

1 Introduction Assembling

1.1 General information

This equipment should be installed, inspected, maintained and operated in accordance with EN1176-7 guidelines.

Before installation work commences, please check that you have all of the equipment and fixation components in the parts list provided (see Tables 3-1 and 3-2).

Please consider that the installation has to be carried out only on even terrain (max.slope up to 3%).

Any spare parts that may be required can be obtained directly from your supplier or from Fa. Huck Seiltechnik GmbH

Adress: Huck Seiltechnik GmbH
Dillerberg 3
D-35614 Asslar/Berghausen
Tel. +49 6443 83 11-0
Fax +49 6443 83 11-79

Please do not hesitate to call your supplier if you have any problems during installation or with any other questions. You can reach us at the following **Tel. +49 6443 83 11-99.**



Following installation, complete assembly instructions, maintenance instructions and a maintenance record must be sent to the operator who must confirm receipt in writing. See the last page of this document.



All nuts and bolts are hot-dip galvanised or stainless steel. One of the characteristics of stainless steel is that uncontrolled cold welding may occur when the nuts are tightened. To prevent this, it is necessary to spray the nuts and bolts with Teflon spray or another similar lubricant.

We hereby confirm that this play equipment has been tested and certified in accordance with the play equipment standard EN 1176-1.

2 Datasheet Super-Tampen-Swinger-Mini, Art.-No.4585S

- Impact zone: 2,50 m x 4,50 m
Free height of fall 1,50 m
- Required safety surface: 2,80 m x 7,60 m

Surface material	Description mm	Minimum thickness of layer mm	Maximum height of fall mm
Topsoil grass			<= 1000
Chipped bark	20 – 80 grain size	300	<= 2000
		400	<= 3000
Wood chippings	5 – 30 grain size	300	<= 2000
		400	<= 3000
Sand	0,2 – 2 grain size	300	<= 2000
		400	<= 3000
Gravel	2 – 8 grain size	300	<= 2000
		400	<= 3000
Other ground materials	As recommended by manufacturer		Critical fall height as checked

*In Germany lawn is permitted up to 1.50 m height of fall

Name and overall dimension of the largest component:

Steel post (1 piece) length 3.50m, Ø 102 mm

Name and weight of the heaviest component:

Play component (1 piece), approx. 70 kg

Intended age group: 4 years and over



Attention

Please note that this equipment is set in concrete.

Concrete: C25/30

Required concrete: 1,3 m³

Foundations/area to be excavated:

excavated (All foundations must be brought to equal level!)

4 x 0.80 m long x 0.80 m wide, total depth 1.10 m including 10 cm drainage

Foundation edges must be rounded off (min.R = 100 mm)!

Sizes of foundations are designed for soils class "4-5" (natural ground).

Soil class 3: Non-cohesive to low-cohesive plasticity, sand, gravel and sand-gravel-mixtures, with very low portion of stones (portion > 30% with bigger diameter of 63 mm grain size)

Soil class 4: soft to medium plasticity, interleave bound, with minor portion of stone (portion < 30% with bigger diameter of 63 mm grain size)

Soil class 5: **Soil class 5:** ground with soil class 3 and 4 with big portion of stones (portion > 30% with bigger diameter of 63 mm grain size)

IN CASE OF SANDY AND SOFT SOILS, THE SURFACE DIMENSIONS OF FOUNDATIONS HAVE TO BE ENLARGED FOR ABOUT 50%!.



Attention

Assembly time, once foundations complete: 1 hours.

Required assistance: 2 persons.

Required tools: wheel excavator, spirit level, ladder approx. 3 m long, bolt cutter, various wrenches and screwdriver.

Any spare parts which may be required can be obtained directly from your supplier or from Fa.Huck Seiltechnik GmbH

Adress: Huck Seiltechnik GmbH
 Dillerberg 3
 D-35614 Asslar/Berghausen
 Tel. +49 6443 8311-0
 Fax +49 6443 8311-79

We hereby confirm that this item of play equipment has been tested and certified in accordance with the play equipment standard EN 1176-1.

Drawings / Views

All optical drawings are showing only the measurements/dimensions and are no mandatory technical views of the complete item.

We reserve the right to change technical details of our articles which are serving for the further development of our articles and are reasonable for the customer.

Measurement tolerances

Because of the properties and characteristics of the components, minor measurement tolerances compared to the indication on the sketches are possible.

This concerns all shown measurements except the foundation measurements resp. measurements below upper edge ground level/play area.

3 Delivery contents (parts list with part numbers)









3.1. In words

Table 3-1: Delivery contents, in words

Pos.	Quantity	Element / Description	Size	O.K.	Missing
1	4	steel posts	Ø 102 mm - 3,50 m long		
2	4	Red plastic caps	for Ø 102 mm		
3	4	Rohrschellen (mit Schlossschraube und Stopmutter)	für Ø 102 mm		
4	4	Clamps (with carriage bolt and stop nut)	für Ø 102 mm		
5	1	game part	(Pre-assembled!)		
101	12	Self-tapping PIAS screws (for item 2)	5,5 x 25 mm		
102	1	Loctite (Securing screws)	3 ml.		
	4	Walkway plate 250 x 250 x 40 (on site)	250 x 250 x 40 mm		

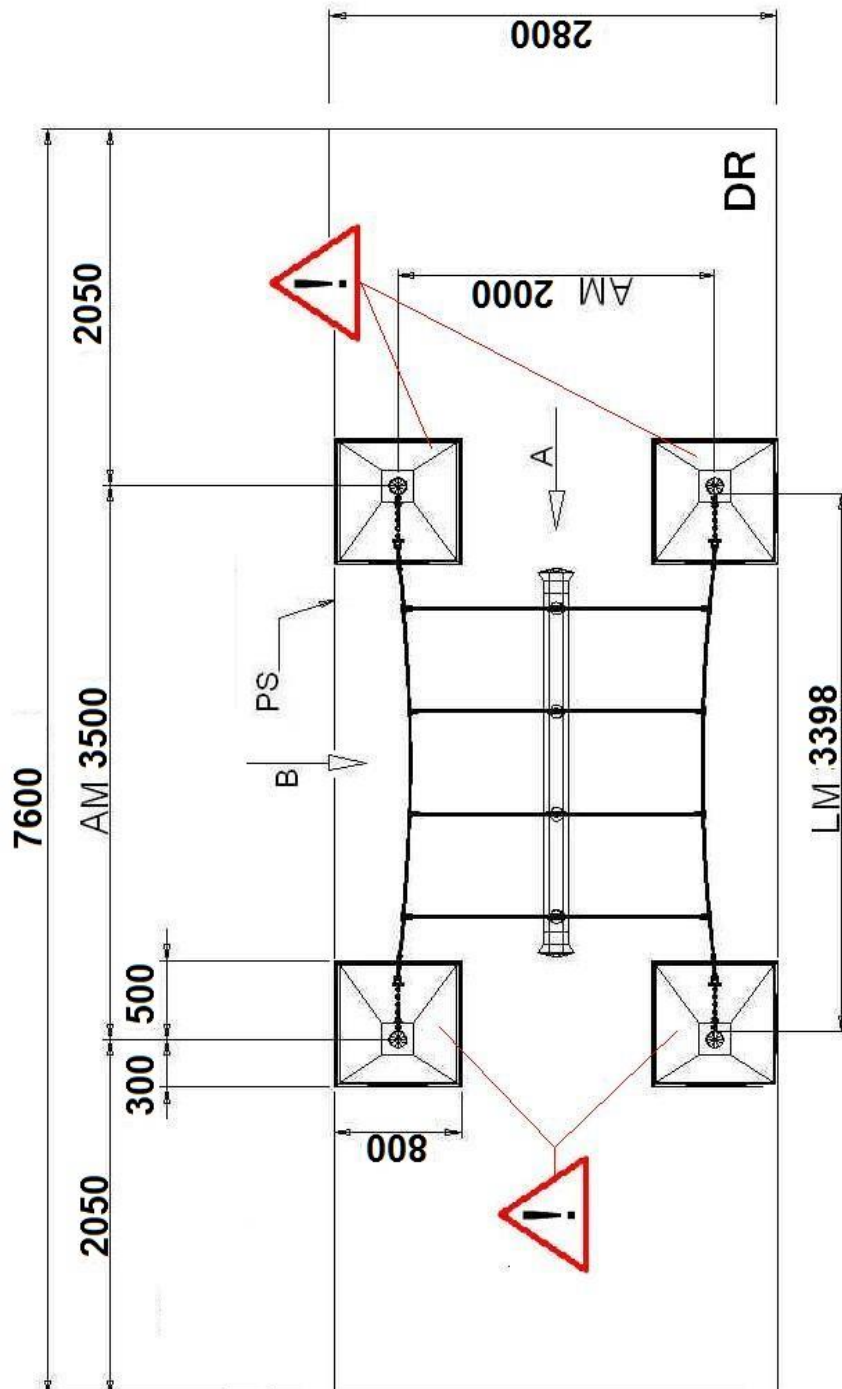
3.2. In symbols

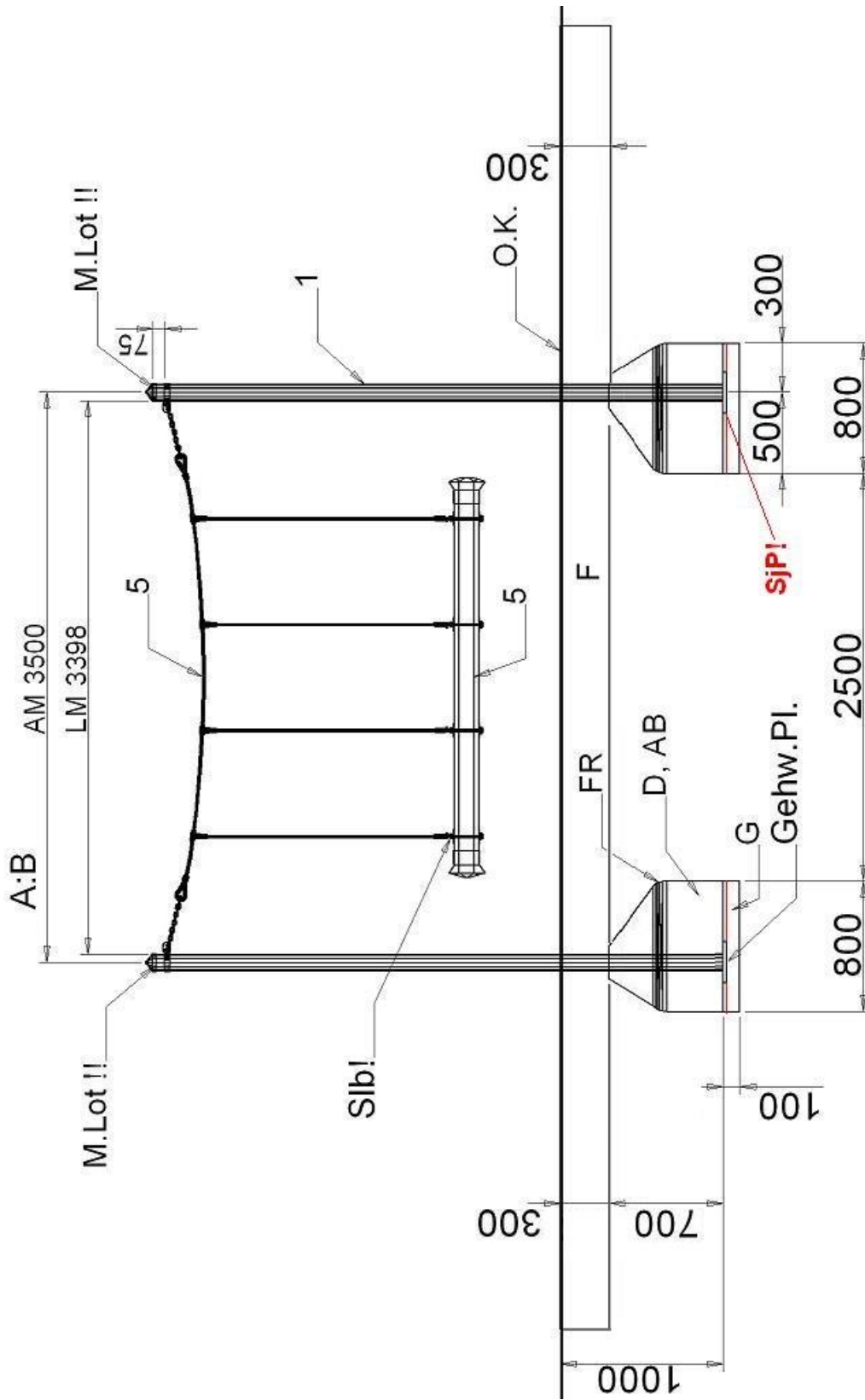
Table 3-2: Delivery contents, in symbols

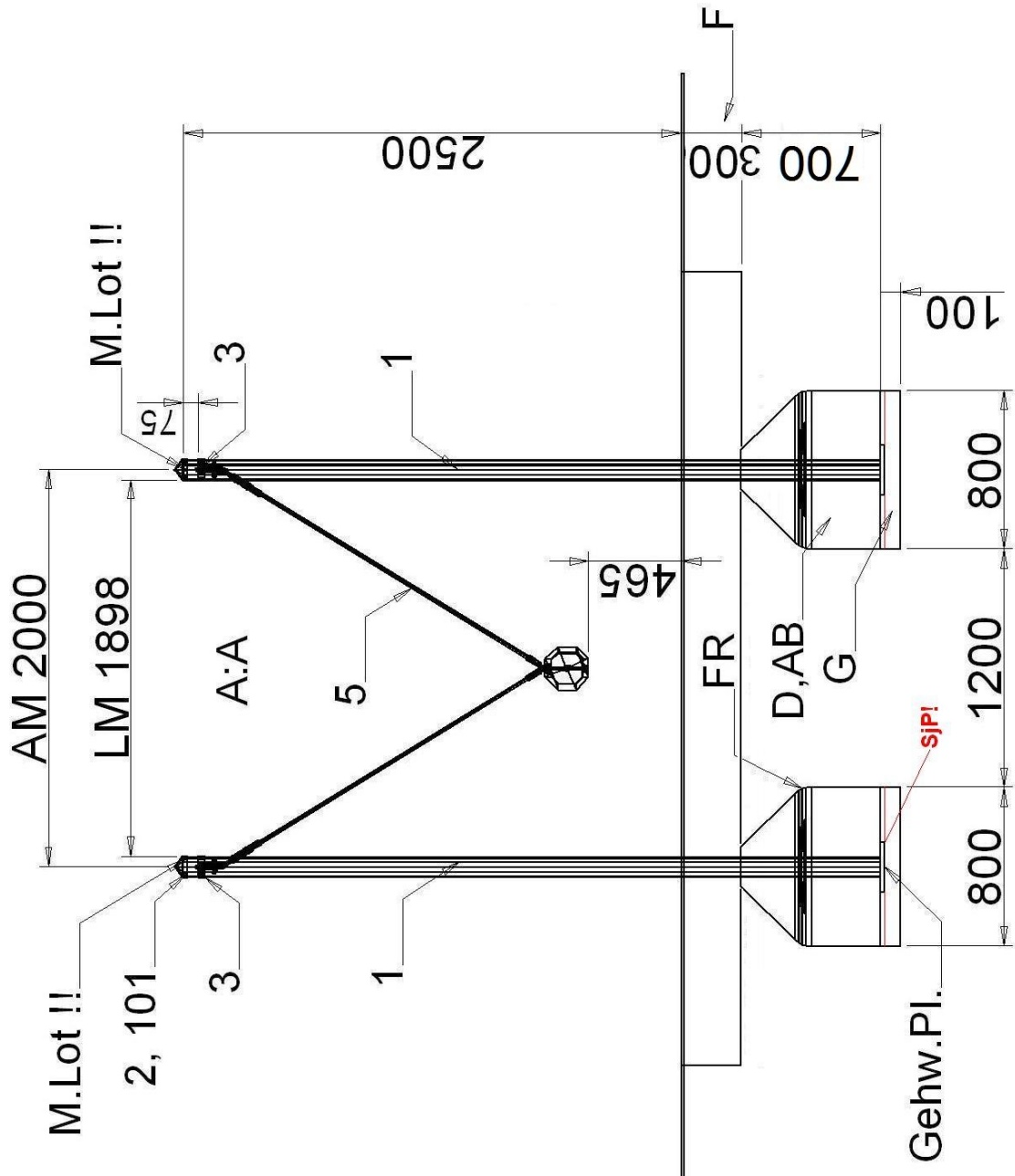
Pos.	Quantity	Symbol
1	4	 Ø 102 mm - 3,50 m long
2	4	 for Ø 102 mm
3	4	 for Ø 102 mm
4	4	 for Ø 102 mm
5	1	 (VO)
101	12	 5,5 x 25 mm
102	1	 (Screw lock) 3 ml.
	4	 Walkway plate 250 x 250 x 40 (on site)

4 Erection instructions

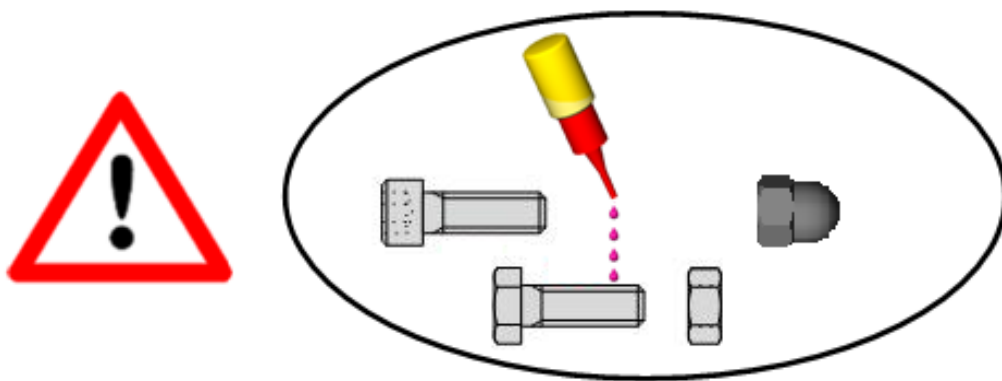
PICTURE



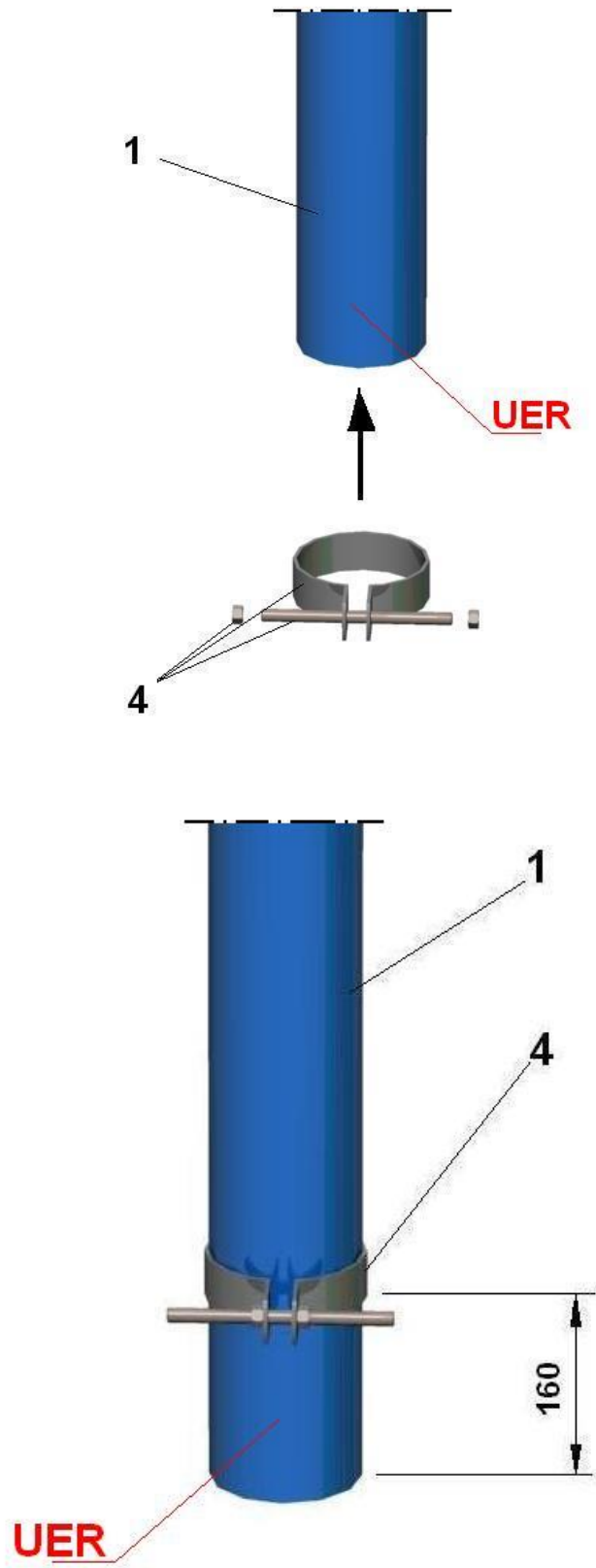


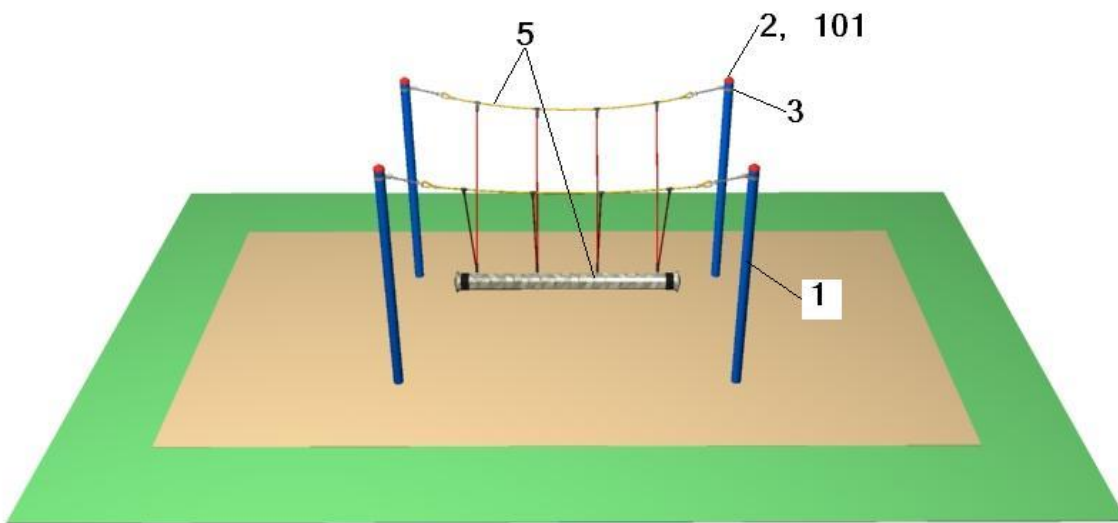
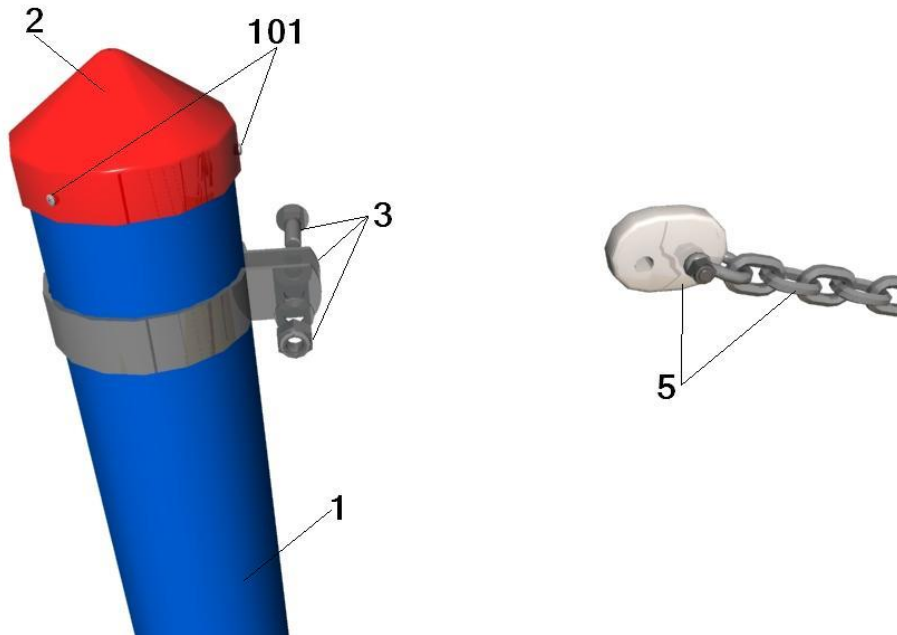


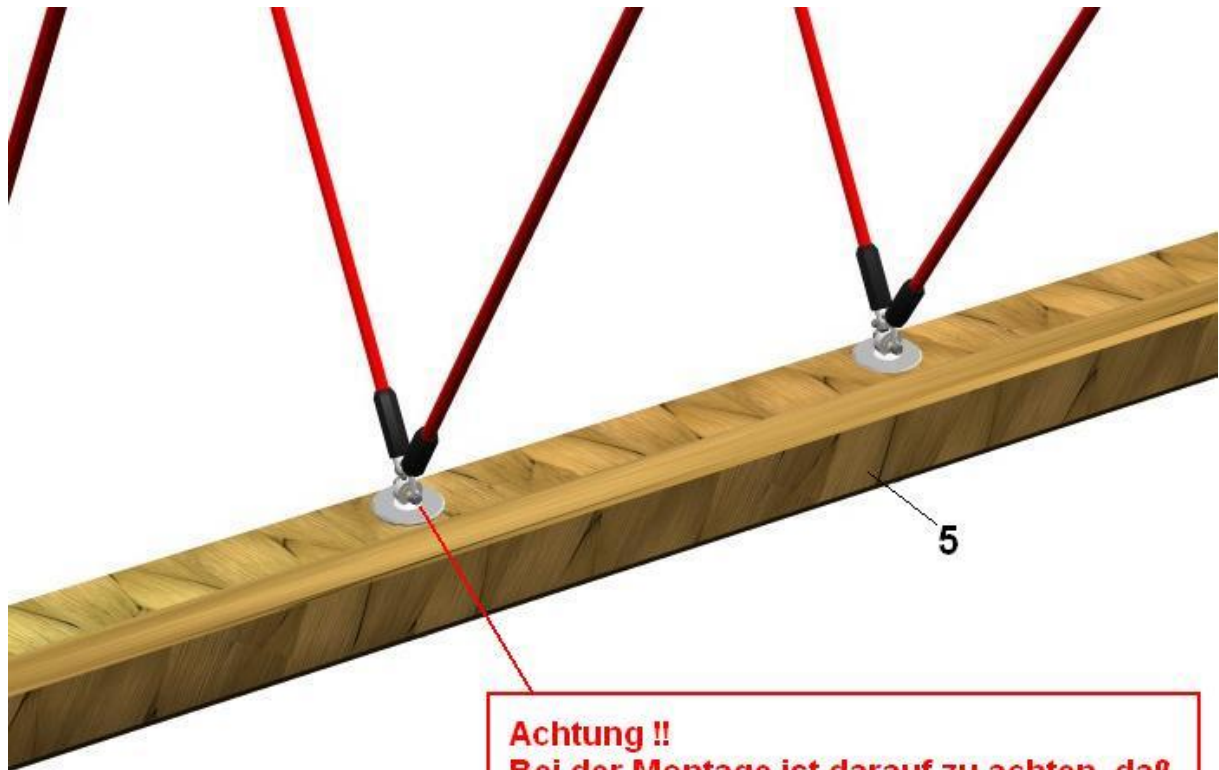
Screw locking device!




**glue all screws, nuts and sleeves with loctite.
(not less than 5 drops !)
(except for lock nut)**







Achtung !!
Bei der Montage ist darauf zu achten, daß die Schäkel beim Anziehen (Befestigen) nicht zu fest angezogen werden. Schäkel müssen noch frei beweglich bleiben !
Loctite (mind. 5 Tropfen) nicht vergessen !

	<u>Explanations of abbreviations and symbols :</u> Super-Tampen-Swinger-Mini, Art. No. 4585S
A	View A, View B
AB	The legal setting times of concrete must be observed
AM	Center distance (center-center) posts
LM	Clear distance
D	Concrete C25/30 (for foundations)
FR	Foundation round-off radius at least 10 cm
G	Drainage
Gehw.PI.	Sidewalk flagstone (by the customer)! Upper edge – drainage (see drawing)
F	Fall protection
O.K	Upper edge of playing level
Slb!	The shackles must be smooth and flexible!
SjP!	Depending on the thickness of the plate, place the infiltration layer, place the plate on it and top up to 10 cm on the side.
UER	Lower end of the pipes (foundation area)
PS	Impact area
	<p><u>Foundation edges must be rounded off (min.R = 100 mm)</u> <u>Sizes of foundations are designed for soils class“4-5” (natural ground).</u></p> <p><u>Soil class 3:</u> Non-cohesive to low-cohesive plasticity, sand, gravel and sand-gravel-mixtures, with very low portion of stones portion of stones (portion > 30% with bigger diameter of 63 mm grain size)</p> <p><u>Soil class 4:</u> soft to medium plasticity, interleave bound, with minor portion of stone (portion < 30% with bigger diameter of 63 mm grain size)</p> <p><u>Soil class 5:</u> <u>Soil class 5:</u> ground with soil class 3 and 4 with big portion of stones (portion > 30% with bigger diameter of 63 mm grain size)</p> <p><u>IN CASE OF SANDY AND SOFT SOILS, THE SURFACE DIMENSIONS OF FOUNDATIONS HAVE TO BE ENLARGED FOR ABOUT 50%!.</u></p>

See drawings for details!

5 Post installation checks



Notice

If the equipment has not been installed safely, you must ensure that the public is prevented from using it.

5.1 Marking filler depth

Labelling the posts to show the depth of material provided as fall protection (i.e. loose filler).

5.2 The equipment has not been installed safely in the following cases:

- Safe equipment installation is not complete.
- The protective surface has not been installed yet.
- Appropriate maintenance work cannot guarantee operational safety.

5.3 Removal of all assembly aids

Please make sure that all assembly aids have been removed from the playing area. The equipment must not be approved for use until this check has been made.

5.4 Information about inspection of the equipment before it is used for the first time

There are no special inspection requirements to be met before the equipment is used for the first time.

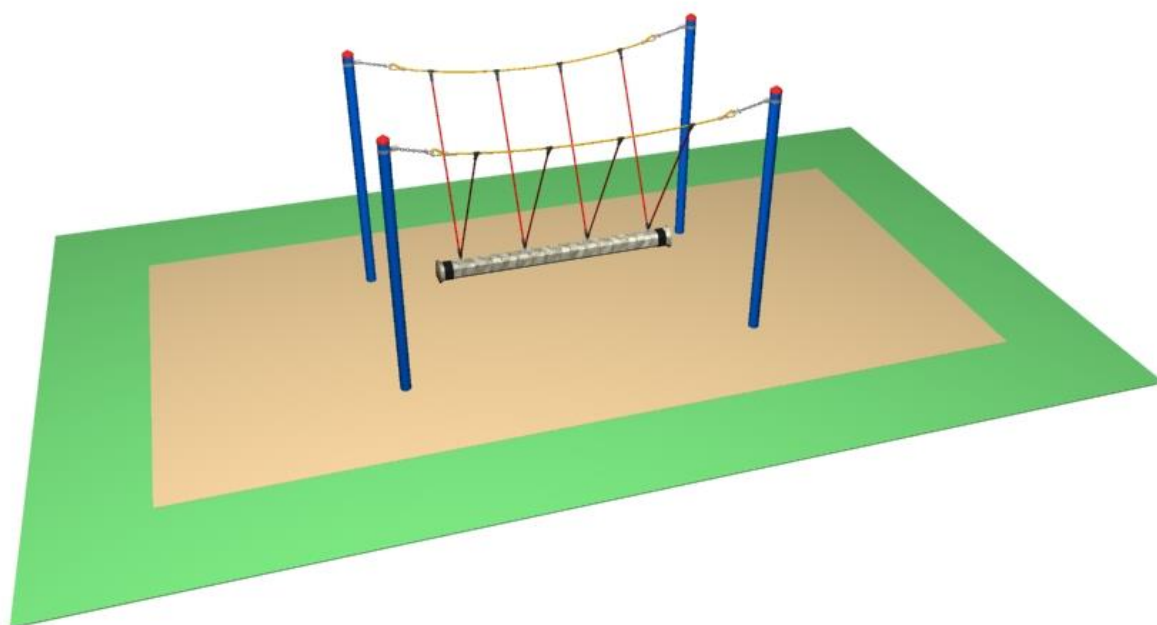
5.5 Retighten bolts

After one week of play, please retighten all bolts again. Later upon respective maintenance.

.

B Maintenance instructions

Super-Tampen-Swinger-Mini, Art.-No. 4585S



Revision history

Revision 0 – 2015-10-12

The first allowed version

Maintenance instruction

All rights reserved

© Copyright 2015 Huck Seiltechnik GmbH

6 Introduction Maintenance

6.1 General informations

This equipment should be installed, inspected, maintained and operated in accordance with EN 1176-7 guidelines.



Notice

Please note: Providing any necessary repairs are carried out, a piece of play equipment that is inspected regularly cannot become so damaged that it is dangerous.

Any spare parts which may be required can be obtained directly from your supplier or from Fa. Huck Seiltechnik GmbH

Adress: Huck Seiltechnik GmbH
Dillerberg 3
D-35614 Aßlar/Berghausen
Tel. +49 6443 83 11-0
Fax +49 6443 83 11-79



This equipment should only be assembled, maintained and repaired by **persons with the necessary expertise.**

A copy of the inspection record should be given to the operator, who must confirm receipt.

**This maintenance instruction is based on the standard
“EN 1176-1”.**

7 General maintenance information

7.1 Maintenance intervals

Maintenance intervals are based on average use. Please note that more frequent inspections and/or maintenance are required if the play equipment is subject to intensive use.

7.2 Inspection frequency

The frequency of inspections must be based on actual use. Factors that affect frequency include vandalism, location (e.g. coastal proximity), air pollution and the age of the equipment.

7.3 Maintenance products and procedures

All nuts and bolts are hot-dip galvanised or stainless steel. One of the characteristics of stainless steel is that uncontrolled cold welding may occur when the nuts are tightened. To prevent this, it is necessary to spray the nuts and bolts with Teflon spray or another similar lubricant.

7.4 Spare parts

All spare parts must conform to the manufacturer's specifications.

7.5 Identifying spare parts

All spare parts are listed in the parts list. The parts list follows the installation requirements.

7.6 Special instructions for the disposal of individual equipment components

No special instructions are necessary for the disposal of individual equipment components.

7.7 Special measures during the break-in period

No later than 2 weeks after assembly, all screwed connections should be checked and tightened if necessary.

7.8 Drain openings

All drain holes must be kept clear.

7.9 Maintenance of protective surfaces

Surfaces providing fall protection must also be maintained regularly. It is particularly important to maintain the correct level of loose surface material and add more if necessary.

7.10 Faults



Faults must be repaired as soon as they are detected. If serious defects that compromise safety cannot be repaired straight away, the public must be prevented from using the equipment with immediate effect.

7.11 Loose screws



Loose screws always cause quality problems and put safety at risk. Therefore, loose screws should always be tightened and checks carried out to ensure that there are no missing screws (e.g. look out for holes you can see through).

7.12 Preventing equipment use

Use of the equipment should be prevented in the event of incomplete installation, disassembly, maintenance, repairs and faults.

7.13 Claims/liability for faults

Steel posts and footings are guaranteed if regular maintenance is carried out and recorded in writing. Our general terms and conditions apply. Maintenance first takes place after 3 years. The steel posts must be excavated as far as the concrete foundations and checked for corrosion.

Zinc paint should be applied to any corroded areas and scratches. Check ropes for abrasion. Retreat any that are very worn.

8 Maintenance timetable

8.1 Special advices

8.1.1 Maintenance interval

We strongly advise you to carry out inspections and maintenance work within the specified periods as use of the equipment, the weather and malicious vandalism cause wear and tear that compromises the safety and function of the equipment.

8.1.2 Maintenance intervals in the event of intensive use

Please note that more frequent inspections and/or maintenance are required if the play equipment is subject to intensive use.

8.1.3 Faults that compromise safety

**Notice**

In the event of a fault that compromises safety, quick action must be taken. This may involve repairing it immediately or shutting down and dismantling the equipment.

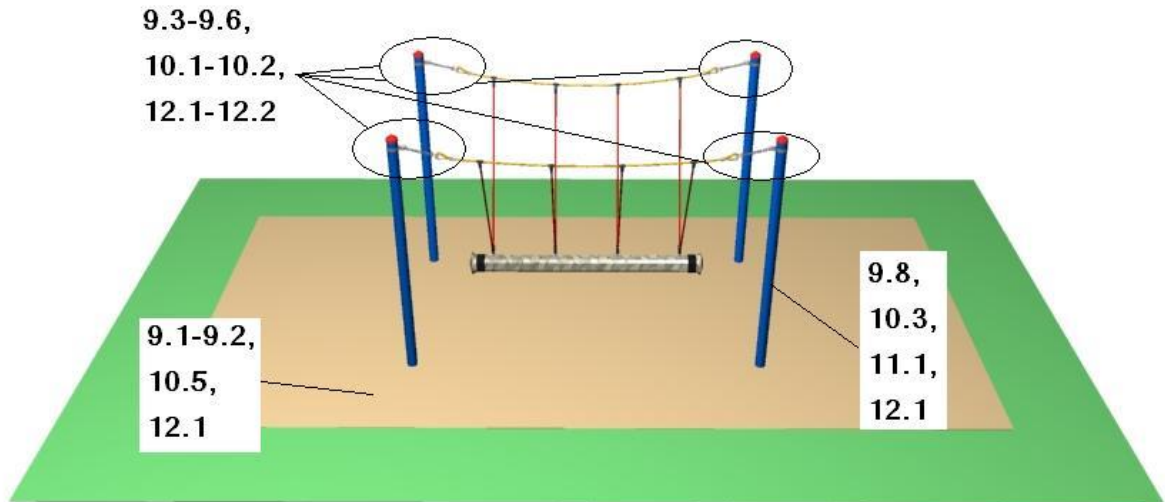
8.1.4 Faults that compromise function

**Notice**

Faults that compromise function should also be repaired immediately. Such faults lower the value of the equipment to the user and encourage malicious vandalism, which may render the equipment less safe. Any damage should also be repaired immediately.

Regular maintenance

Picture



Regular maintenance

9 Monthly maintenance

- 9.1 Check the spaces between the equipment and the ground (clearance and height of fall).
- 9.2 Check the ground surface in the area with fall protection for hard objects and loose foundations.
- 9.3 Check all connecting elements and fittings for wear and tear and tighten if necessary. Replace damaged or missing parts.
- 9.4 Check that moving metal parts (joints, springs, etc.) move smoothly and are not worn. Replace if necessary. It is not necessary to lubricate joints as we only use maintenance-free metal roller bearings.
- 9.5 Check all attachments such as chains, ropes, nets, etc. for damage and replace if necessary.
- 9.6 Check rubber parts, sleeves, etc. for wear and tear or damage and replace if necessary.
- 9.7 If necessary, remove excess padding material from the post footings due to danger of rotting.
- 9.8 Check the surface of wooden parts for damage caused by the weather or external influences and mould. Repair or replace if necessary.
- 9.9 Check the surface of plastic and metal parts, e.g. slides, for damage and replace if necessary.

10 Quarterly maintenance

- 10.1 Detailed inspection of the operation and stability of the equipment paying particular attention to any wear and tear.
- 10.2 Tighten all forms of attachment.
- 10.3 Repaint and retreat surfaces.
- 10.4 Maintenance of fall protection surfaces.
- 10.5 Lubrication of joints.
- 10.6 Check the height of the fall and top up with loose filler if necessary. If the posts are labelled, top up as far as the mark.
- 10.7 Retighten all bolts


11 Half yearly maintenance

- 11.1 **Stability (check posts, bracing, foundations, etc.).** Ascertaining whether there are any changes in equipment safety as a result of repairs that have been carried out or components that have been added or replaced.

	<h1>Annual Maintenance</h1>
---	-----------------------------

12 Annual maintenance

- 12.1 **Ascertaining that the equipment, foundations and surfaces are safe for operation.**
- 12.2 **In particular, the equipment should be checked for decay and corrosion. It may be necessary to dig out or excavate certain components in order to do so. Zinc paint should be applied to corroded areas and scratches.**

	<p>The equipment must be inspected by someone with the necessary expertise in strict compliance with the instructions issued by Huck Seiltechnik GmbH.</p> <p>A copy of the inspection record should be given to the operator, who must confirm receipt.</p>
---	--

14 Hand over document



After the installation of the equipment pass the installation and maintenance documents to the operator. The operator has to receive the hand over documents. The complete filled and signed hand over document should be sent to the supplier Huck Seiltechnik GmbH per Telefax +49 6443 8311-79

Art.-No.: 4585S

Type of item: Super-Tampen-Swinger-Mini

Serial number: _____

Customer or operator (Town, Town council, Kindergarten, etc.):

Competent person in charge:

Installation company (address):

Responsible assistant (assembler):

Received the complete assembly instructions, maintenance instructions and maintenance printout,

(Signature of operator)
(Stamp)

(Signature of installation company)

Date: _____